

## Index

TOP CONNECTOR SET 1 M/ 5 M	2
TOP EXTENSION CORD	3
TOP IP67 KIT/ IP67 EXTENSION KIT	4
POWER EN CONNECTION DIAGRAM	5
SYMBOLS	6



## liniLED® Top Connector Set 1 m/ 5 m



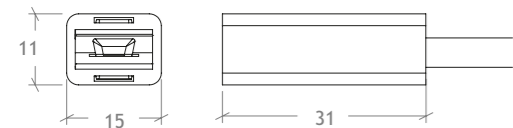
### Product information

Dimensions	L31xW15xH11 mm
Cord length	1 m, 5 m
Degree of protection	IP40 (IP67 with IP67 Kit)
Colour	White
Power cord	White, PVC
Weight	1 m: 51 g 5 m: 175 g
Included	liniLED® Top End Cap (15503)

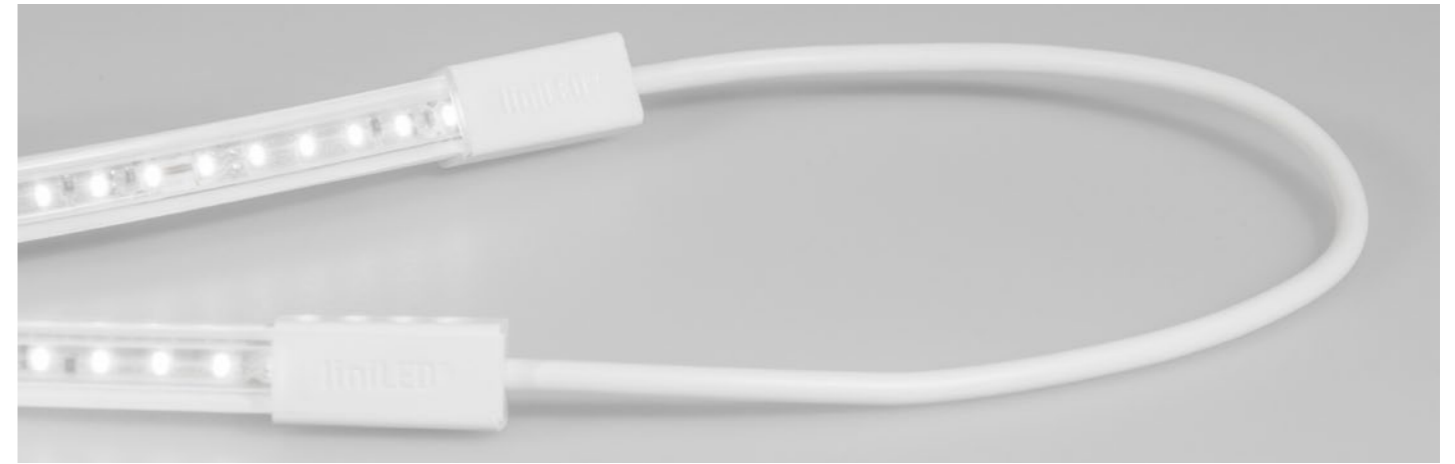
Product code	Description
11200	liniLED® Top Connector Set 1 m
11190	liniLED® Top Connector Set TW 1 m
11204	liniLED® Top Connector Set RGB 1 m
11201	liniLED® Top Connector Set 5 m <sup>1</sup>
11191	liniLED® Top Connector Set TW 5 m <sup>1</sup>
11205	liniLED® Top Connector Set RGB 5 m <sup>1</sup>

<sup>1</sup> Check in in Cable Selection table (in the Datasheet of the chosen led strip) what the maximum length of the cable is with the chosen led strip length.

### Product drawing



## liniLED® Top Extension Cord

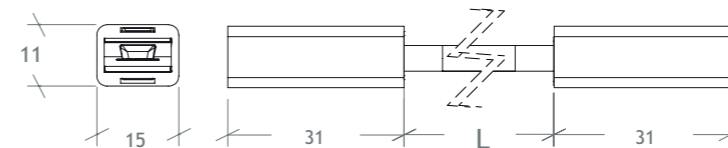


### Product information

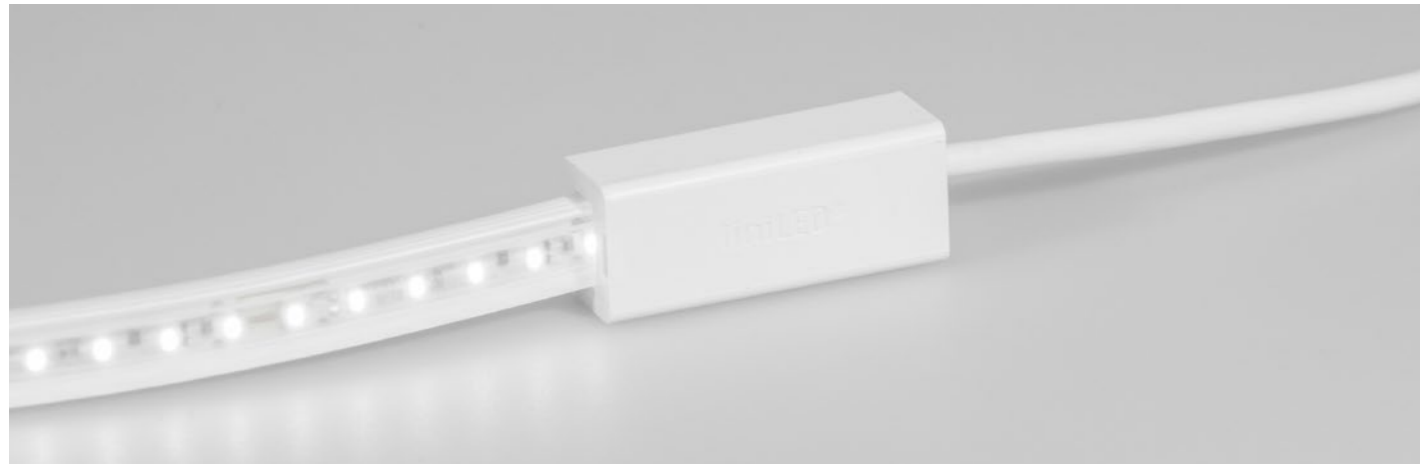
Dimensions	L31xW15xH11 mm
Cord length	26 cm
Degree of protection	IP40 (IP67 with IP67 Kit)
Colour	White
Power cord	White, PVC
Weight	29 g

Product code	Description
11208	liniLED® Top Extension Cord
11192	liniLED® Top Extension Cord TW
11210	liniLED® Top Extension Cord RGB

### Product drawing



## liniLED® Top IP67 Kit

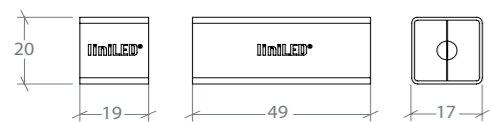


## Product information

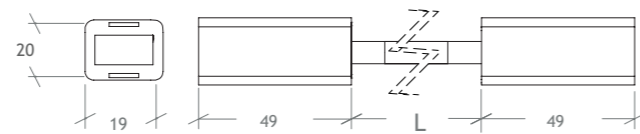
Dimensions	11490 : L49xW22xH20/ L19xB22xH20 mm
	11491: L49xW22xH20 mm
Degree of protection	IK08, IP67
Colour	White
Material	IP67 Gel
Weight	11490: 35 g
	11491: 39 g

Product code	Description
11490	liniLED® Top IP67 Kit
11491	liniLED® Top IP67 Extension Kit

## Product drawing



Top IP67 Kit

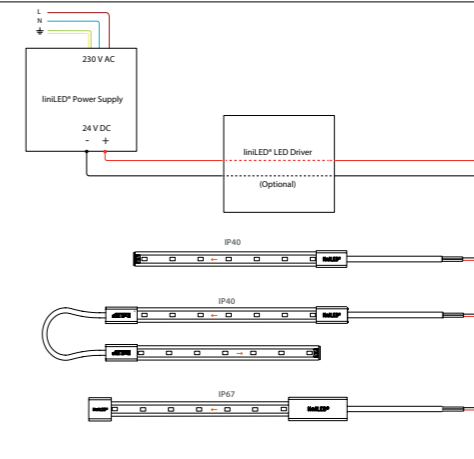


Top IP67 Extension Kit

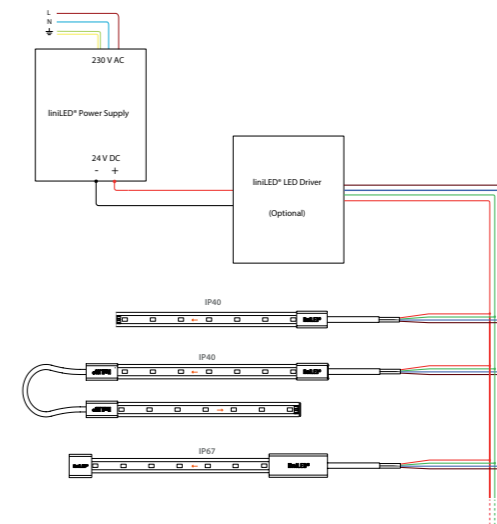


## Power and connection diagram

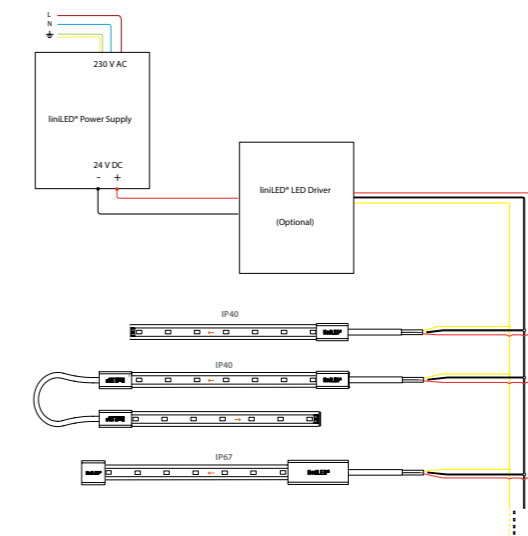
### Connection diagram Mono



### Connection diagram RGB












### Connection diagram Tunable White



## Symbols

---

-  Manufacturer's declaration that the product meets the applicable EC directives.
-  Restriction of Hazardous Substances (RoHS): product complies with the RoHS directive and each homogeneous material does not exceed the limits for the materials mentioned under the RoHS directive (Pb, Hg, Cd, Cr6+, PBB and PBDE).
-  Protected against ingress of solid foreign objects  $\geq 1.0$  millimetres. Not-protected against ingress of water.
-  Dust-tight, no ingress of dust. Protected against the effects of temporary immersion in water (Immersion in water at a maximum depth of 1 metre up to half an hour).
-  Electrical appliance class III: this product is designed to be supplied from an extra-low voltage ( $\leq 60.0$  V DC or  $\leq 42.4$  V AC).
-  Product is resistant against ultraviolet (UV) light or sunlight. Non-UV resistant products can degrade or discolor fast when exposed to UV light.
-  Product can be cleaned with normal cleaning agents as specified in the datasheet under 'chemical compliances'.
-  This product can be stored and used below 0 degrees Celsius. Verify the minimum storage and operation temperature in the datasheet for the lowest temperature allowed.
-  System guarantee of 5 years when the complete system consist of liniLED® Products with the 5 year system warranty logo.